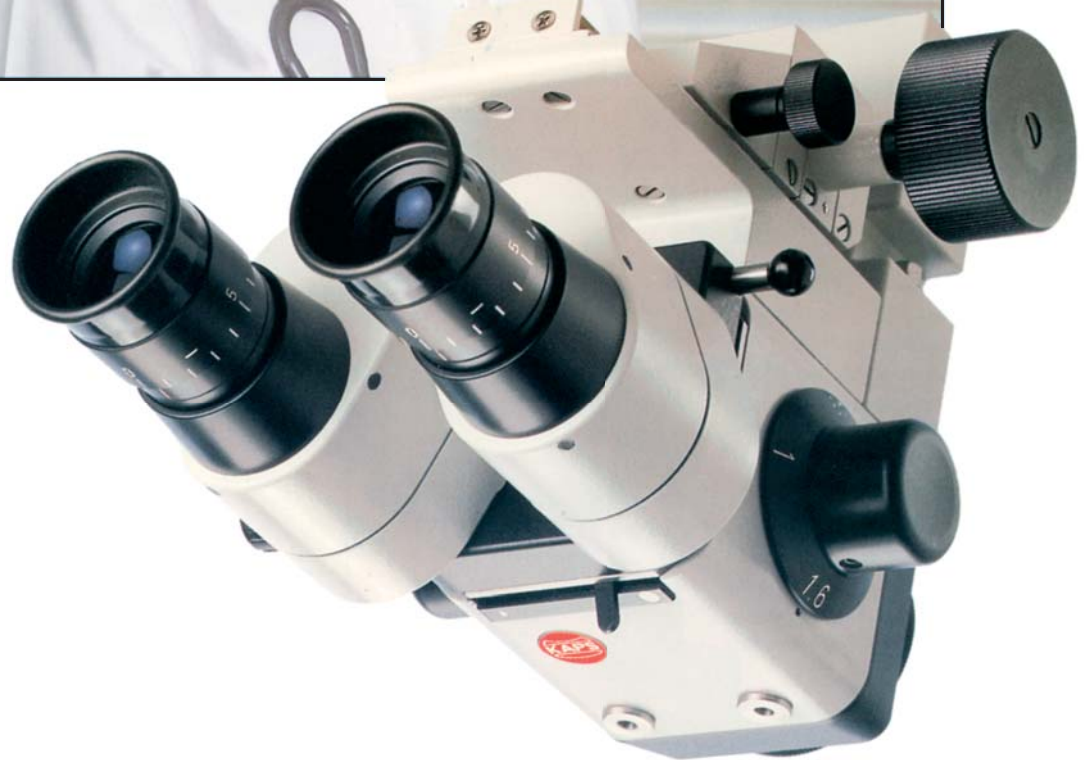


# The surgical and diagnostic microscope SOM 62



The Variable System with the Wide Scope of Application



**KARL KAPS GMBH & CO. KG**

Equipment for Medicine and Technology  
Surgical and Diagnostic Microscope

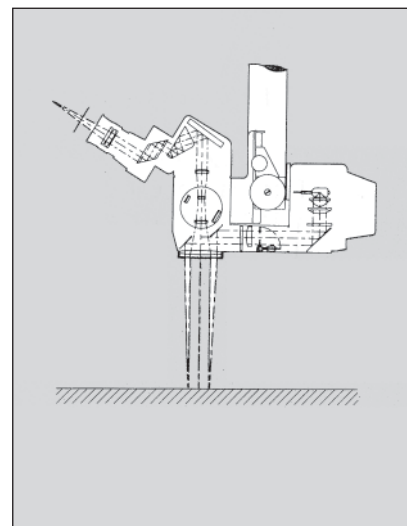
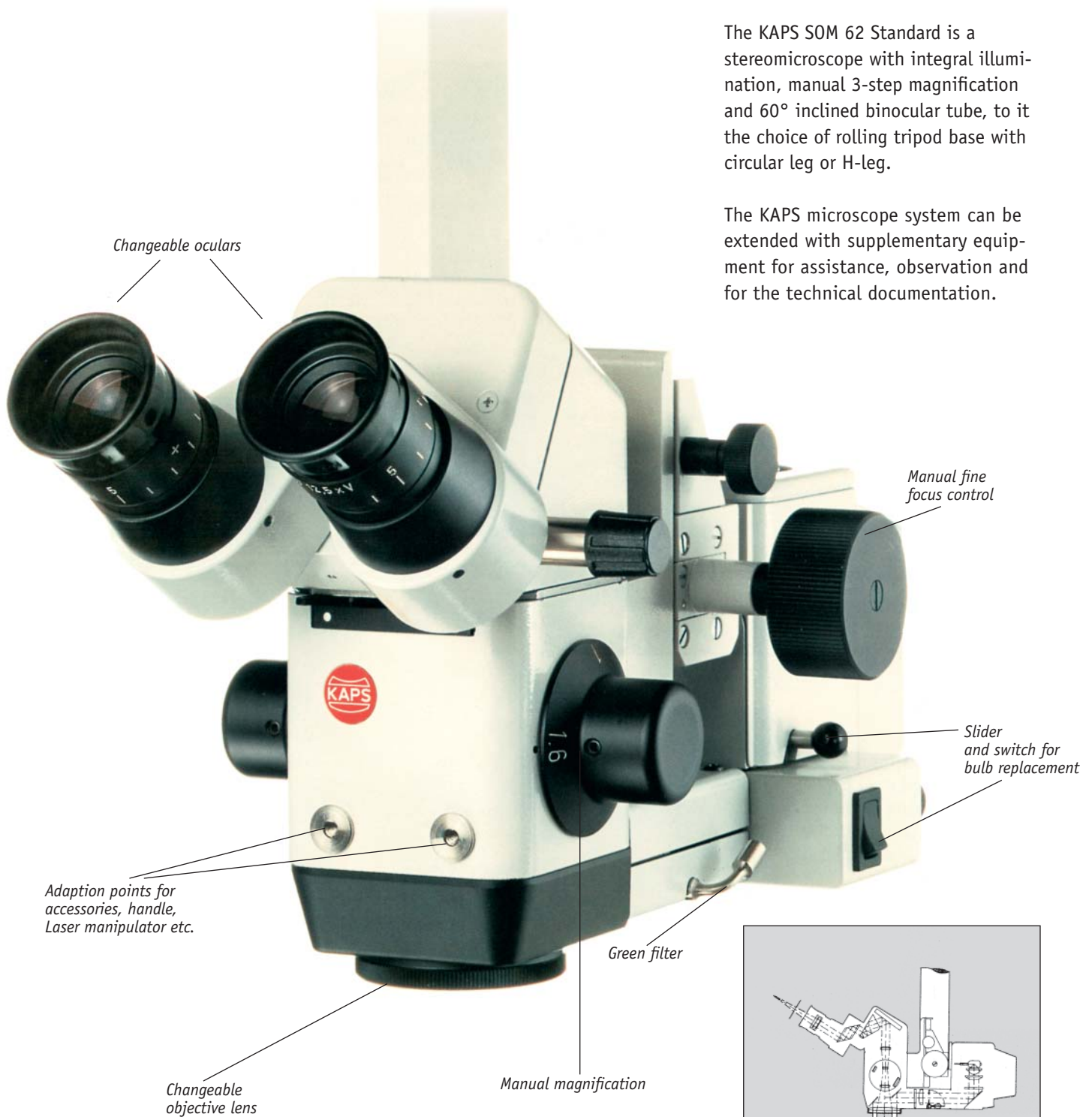
# The surgical microscope SOM 62 Standard



## The Favorable Variant for the Requirements of Modern Surgery

The KAPS SOM 62 Standard is a stereomicroscope with integral illumination, manual 3-step magnification and 60° inclined binocular tube, to it the choice of rolling tripod base with circular leg or H-leg.

The KAPS microscope system can be extended with supplementary equipment for assistance, observation and for the technical documentation.



Integrated illumination with  
duel beam system.

# The surgical microscope SOM 62 MOT, cool light



## The All-Round Equipment with Motor-Driven Magnification and Focus Control

The KAPS stereomicroscopes SOM 62 are high-valued optical equipments with mature mechanism, which are presented in modern design. The excellent visual performance simplifies the diagnosis and gives confidence during surgical procedures. Both very bright coaxial 12 V/100 W halogen illuminations work with a novel dual beam system, which allows a continuation of work without difficulty if shading occurs e.g. due to instruments. The integral illumination (standard) in the microscope head and the fiberoptic illumination (cool light) have replacement bulbs, which are immediately ready for use. 4 models of equipment are available, all can be supplied with manual 3-step resp. 5-step or infinitely variable (zoom) magnification. In return the electric choice of magnification is only possible with the SOM 62 MOT and the motor-zoom.


- **SOM 62 Standard**  
Integral illumination in the microscope head, magnification and the manual fine focus control.
- **SOM 62 Cool Light**  
Fiberoptic illumination, lamp and replacement bulb in the swivel arm, magnification and manual fine focus control.
- **SOM 62 MOT**  
Integral illumination, choice in magnification (only motor-zoom) and electric fine focus control, with pedal switch.
- **SOM 62 MOT, cool light**  
Fiberoptic illumination, choice in magnification and electric fine focus control (only motor-zoom), with pedal switch.



*The mobile pillar tripod base with vertically adjustable swivel arm can easily be rolled to any required work location and there it can be placed safely by means of using the locking break.*

# Technical data SOM 62 Standard and cool light

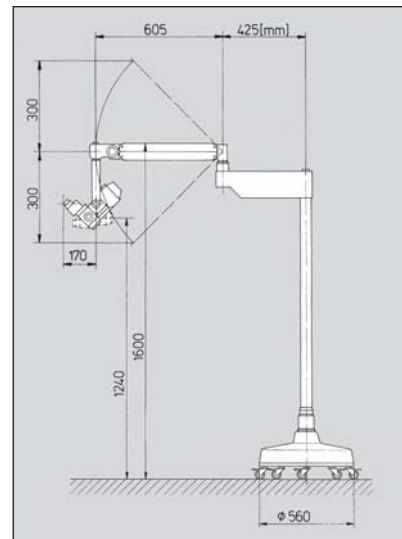
## Survey

|   |   |                  |
|---|---|------------------|
| Manual Magnification  | 3-step / 5-step<br>infinitely variable (zoom) |                  |
| <b>Objective lenses:</b>  |   |                  |
| Focal length f (mm)   | 100 / 150 / 200 / 250 / 300 / 400             |                  |
| Straight binocular tubes:   |   |                  |
| Focal length f (mm)   | 0°  | 125 / 159        |
| Inclined binocular tubes:   | 45°   | 125 / 159        |
| Focal length f (mm)   | 60°   | 159              |
| Focal length f (mm)   | 0-60°   | 159 (swivelling) |
| <b>Oculars:</b>   |   |                  |
| Wide field  (AP = 22 mm) | 6,3x / 10x / 12,5x / 16x / 20x                |                  |
| Diopter balance   | ± 5 dpt                                       |                  |

|  |   |   |
|--|---|---|
| <b>Illuminations:</b>                              |   |   |
| coaxial  | version1:   | integral illumination in the microscope head (standard) |
| 12 V / 100 W halogen operational replacement bulbs |   | UV-filter   |
| dual beam system (free of shadows)                 | od.   | swing-in green filter                                   |
| heat protection filter                             | version 2:  | fiberoptic illumination (cool light)                    |
|  |   | swing in green filter (on request)                      |
| manual focusing:                                   | with the microscope head directly or geared down with the fine focusing drive |   |

### Rolling tripod base with shift lock

|   |   |
|---|---|
| Circular leg                                    | Ø 560 mm                                |
| H-leg (for higher load)                         | length 700 mm<br>width 640 mm           |
| swivel arm                                      | angle of traverse 360°<br>length 425 mm |
| suspension arm                                  | length 600 mm<br>lift ± 300 mm          |
| Height of equipment (suspension arm horizontal) | 1.610 mm                                |
| electrical service requirements (50-60 Hz)      | 100 – 127 V; 220-240 V                  |
| power absorption                                | max. 140 VA                             |



Rolling tripod base with circular leg

### SOM 62 MOT contrary to SOM 62 Standard and cool light:

electrical magnification by means of hand or pedal switch, fine focus control through pedal switch.

Weight: 100 kg  
(depending on equipment)



## KARL KAPS GMBH & CO. KG

Surgical and Diagnostic Microscopes

Europastrasse • D-35614 Asslar  
P.O. Box 12 25 • D-35608 Asslar  
Phone + 49(0)64 41 - 8 07 04 - 0  
Fax + 49(0)64 41 - 8 59 85  
www.kaps-optik.de  
email: info@kaps-optik.de